

LVA415-5

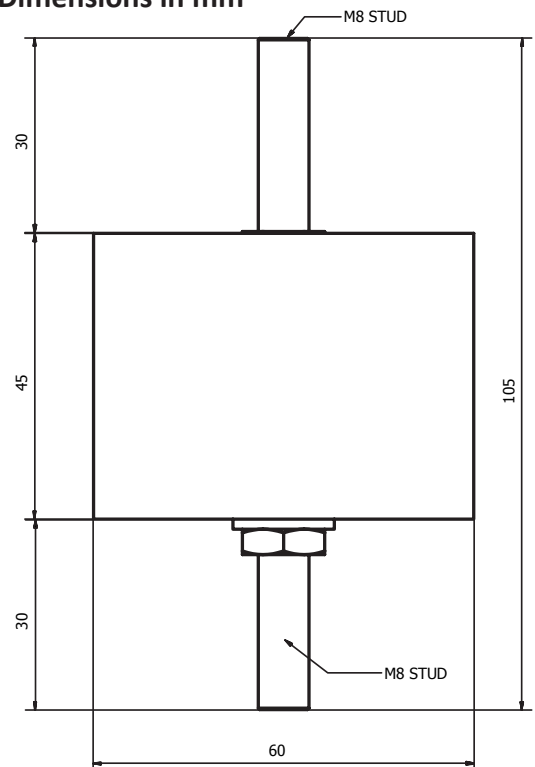
Low Voltage Arrester

The LVA415-5 surge protection device utilises proven metal oxide technology and is designed for use on AC or DC supply lines as an effective means of providing protection against lightning and switching induced overvoltages.

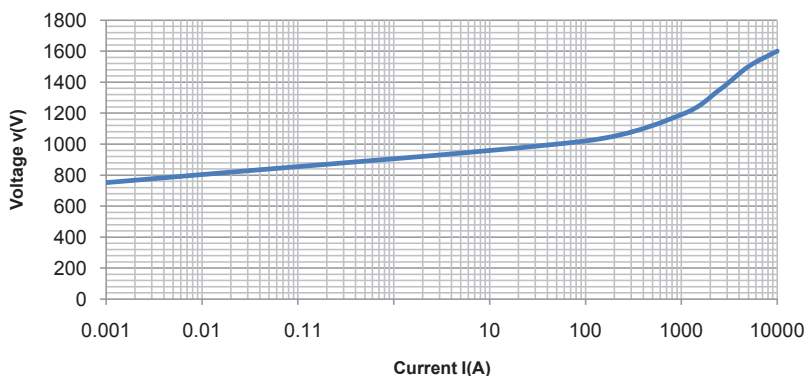
Specifications	
Maximum Continuous Operating Voltage U_c	415Vrms
Rated Voltage U_r	500Vrms
Temporary Overvoltage U_{tov}	500 Vrms minimum
Energy Withstand (E)	600J 10/1000 μ s Impulse
Nominal Discharge Current I_n	5kA 8/20 μ s Impulse
Residual Voltage at Nominal Discharge Current I_n	1.8kV
Residual Voltage at 10kA	1.9kV
Leakage Current at U_c	<0.1mA
Maximum Discharge Current I_{max}	30kA 8/20 μ s Impulse
Reference Voltage U_{ref}	>690V at 1mAdc
High Current I_{hc}	65kA 4/10 μ s Impulse
Supply Frequency	48 - 62Hz
Creepage	80mm
Mass	\approx 320g
Housing Material	UV Stable ABS
Mounting	Interior – Any Orientation
Terminations	Brass M8
Tightening Torque	TBA
Part Code:	LVA415-5



Dimensions in mm



Typical VI characteristics for the LVA415-5 Arrester



Revision: vPD4, 12/04/17
Information subject to change without notice.

All of the above information, including drawings, illustrations and graphic designs, reflects our present understanding and is to the best of our knowledge and belief correct and reliable. Users, however, should independently evaluate the suitability of each product for the desired application.

To complement the above, the LVA series can be supplied in a variety of Continuous Operating Voltages - details available on request.

TOP and BOTTOM FIXING ACCESSORIES - A range of fixing accessories are available to suit most applications - details available on request.

Standard References - IEC61643-11 and IEC60099-4 + A2:2009.

