

# ZOMM Series

## (Zinc Oxide Military Modules)

### ZOMM 123/8/4/4



PD Devices Ltd manufacture a wide range of products to protect against the effects of high altitude detonation of Nuclear devices. The result of such an event is the generation of Electromagnetic Pulses which will induce a high voltage transient in exposed conductors.

The EMP can affect several thousands of square kilometres, with a magnitude of tens of kilovolts.

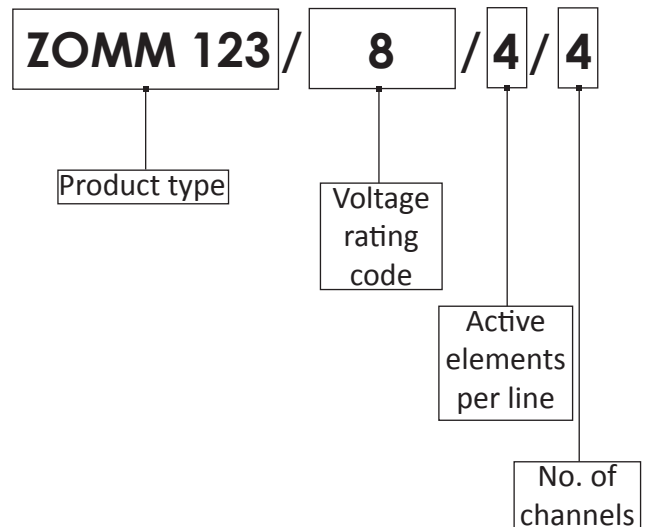
This could result in serious damage to insulation, cause breakdown of semiconductors and the consequent malfunction of critical equipment.

Most notable would be the failure of Energy Power Supply and Communications Systems. We offer products to satisfy protection for most applications



| Specification                                    |  |
|--|--|
| No. of channels                                  | 4                                      |
| 50 Shot ( 4/20µs ) Repetitive Duty               | 5000A                                  |
| Response Time                                    | <10ns                                  |
| Continuous Current per Channel                   | 600A                                   |
| Max. ( 8/20µs ) Current per Channel              | 50000A                                 |
| Leakage Current per Channel at Rated Voltage, DC | <200µA                                 |
| Through Inductance                               | <10µH                                  |
| Volts Drop                                       | Negligible                             |
| Terminations                                     | 24mm Copper                            |
| Bushes   | PTFE                                   |
| Earth Connection                                 | To Base Plate                          |
| Recommended Torque per M18 Terminal              | 40Nm (Ensure terminal does not rotate) |

#### Explanation of Order Code



PD Devices reserves the right to amend specifications in line with product development.

| (XXX)                        |               | 1   | 2   | 3   | 4   | 5   | 6   | 7   | 8   | 9    | 10   | 11   |
|------------------------------|---------------|-----|-----|-----|-----|-----|-----|-----|-----|------|------|------|
| Continuous Operating Voltage | AC (rms)      | 120 | 135 | 150 | 180 | 220 | 250 | 280 | 320 | 380  | 415  | 440  |
| Energy per channel (Joules)  | (10/1000µs)   | 400 | 480 | 500 | 520 | 640 | 720 | 840 | 920 | 1040 | 1160 | 1280 |
| Max. Peak Clamping Volts @   | 100A (8/20µs) | 330 | 370 | 410 | 500 | 620 | 680 | 790 | 870 | 1050 | 1140 | 1200 |

Revision: vPD1, 24/05/18  
Information subject to change without notice.

All of the above information, including drawings, illustrations and graphic designs, reflects our present understanding and is to the best of our knowledge and belief correct and reliable. Users, however, should independently evaluate the suitability of each product for the desired application.



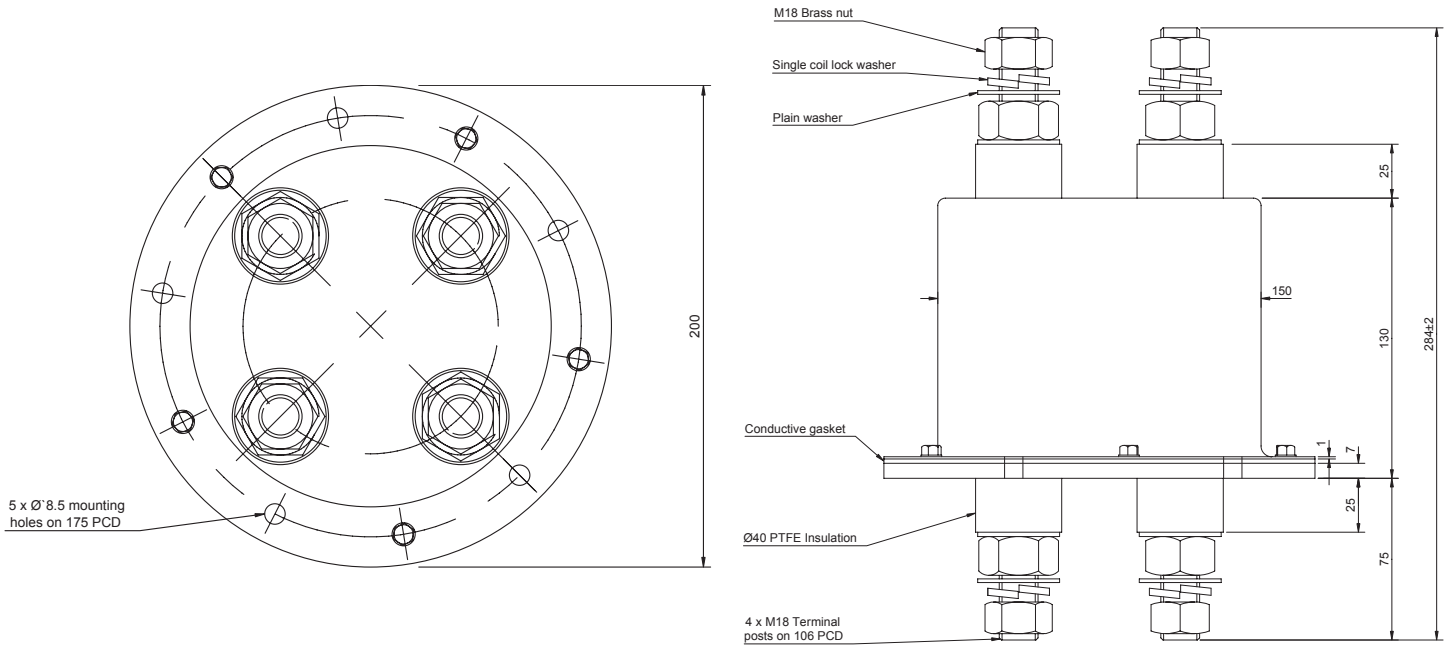
# ZOMM Series

## (Zinc Oxide Military Modules)

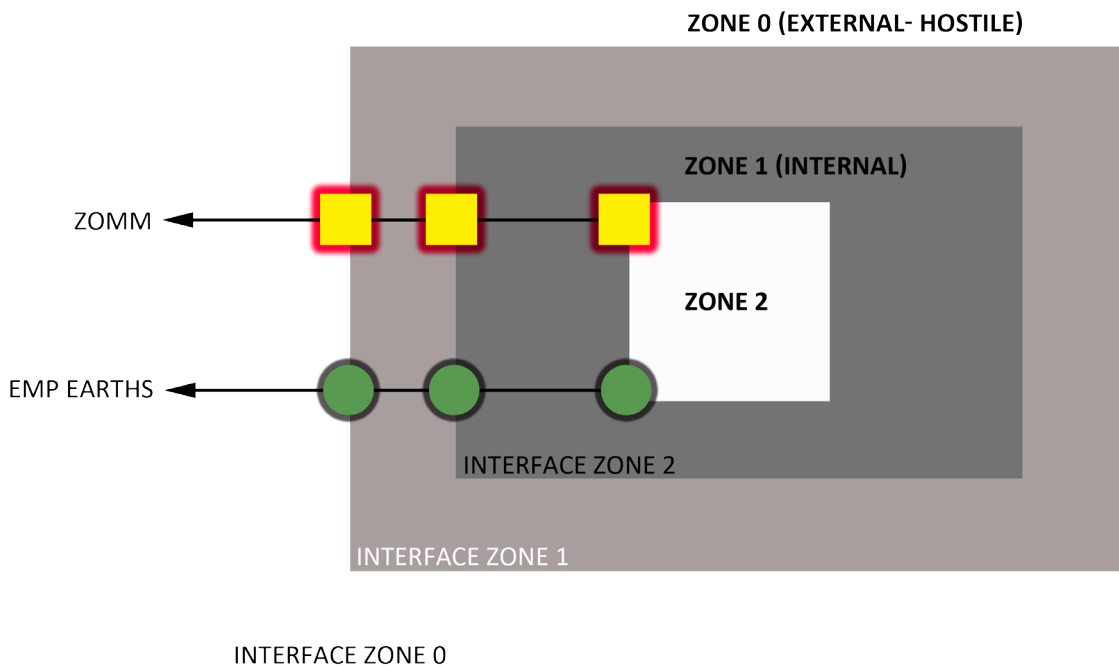
### ZOMM 123/8/4/4



ZOMM 123/8/4/4 Diagram in mm



This ZOMM Application is recommended for Zone 0, 1 & 2



Revision: vPD1, 24/05/18  
Information subject to change without notice.

All of the above information, including drawings, illustrations and graphic designs, reflects our present understanding and is to the best of our knowledge and belief correct and reliable. Users, however, should independently evaluate the suitability of each product for the desired application.

