

# ZOMM Series

## (Zinc Oxide Military Modules)

### ZOMM 135/ (XXX) /2/4



PD Devices Ltd manufacture a wide range of products to protect against the effects of high altitude detonation of Nuclear devices. The result of such an event is the generation of Electromagnetic Pulses which will induce a high voltage transient in exposed conductors.

The EMP can affect several thousands of square kilometres, with a magnitude of tens of kilovolts.

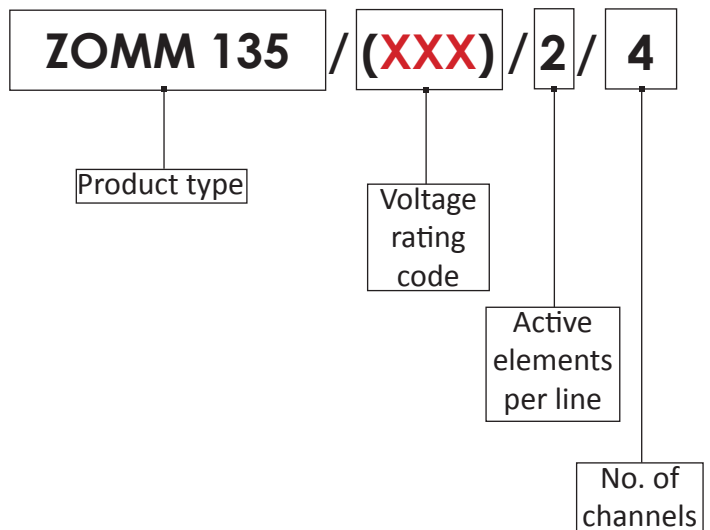
This could result in serious damage to insulation, cause breakdown of semiconductors and the consequent malfunction of critical equipment.

Most notable would be the failure of Energy Power Supply and Communications Systems. We offer products to satisfy protection for most applications



Specification	
No. of channels	4
50 Shot ( 4/20µs ) Repetitive Duty	2500A
Response Time	<10ns
Continuous Current per Channel	60A (Can be supplied as a special with 100A Copper conductors add Cu to part No.)
Max. ( 8/20µs ) Current per Channel	15000A
Leakage Current per Channel at Rated Voltage, DC	<250µA
Through Inductance	<10µH
Volts Drop	Negligible
Terminations	8mm Dia Brass
Bushes	PTFE
Earth Connection	To Base Plate
Recommended Torque per M4 Terminal	6.0Nm, 5.6Nm Copper Conductors ( Ensure terminal does not rotate )

#### Explanation of Order Code



(XXX)		09	1	2	3	4	5	6	7	8	9	10	11
Continuous Operating Voltage	AC (rms)	110	120	135	150	180	220	250	280	320	380	415	440
Energy per channel (Joules)	(10/1000µs)	140	160	200	225	250	300	350	400	450	500	560	630
Max. Peak Clamping Volts @	100A (8/20µs)	290	330	370	410	500	620	680	790	870	1050	1140	1200

Revision: vPD2, 21/05/18  
Information subject to change without notice.

PD Devices reserves the right to amend specifications in line with product development.

All of the above information, including drawings, illustrations and graphic designs, reflects our present understanding and is to the best of our knowledge and belief correct and reliable. Users, however, should independently evaluate the suitability of each product for the desired application.



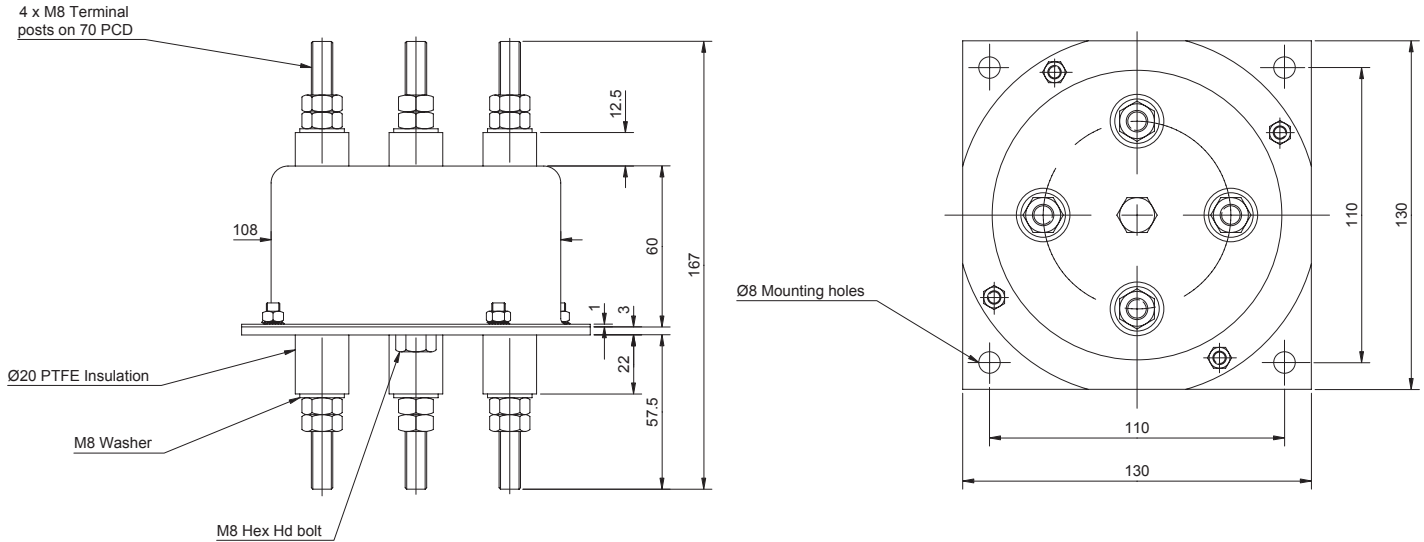
# ZOMM Series

## (Zinc Oxide Military Modules)

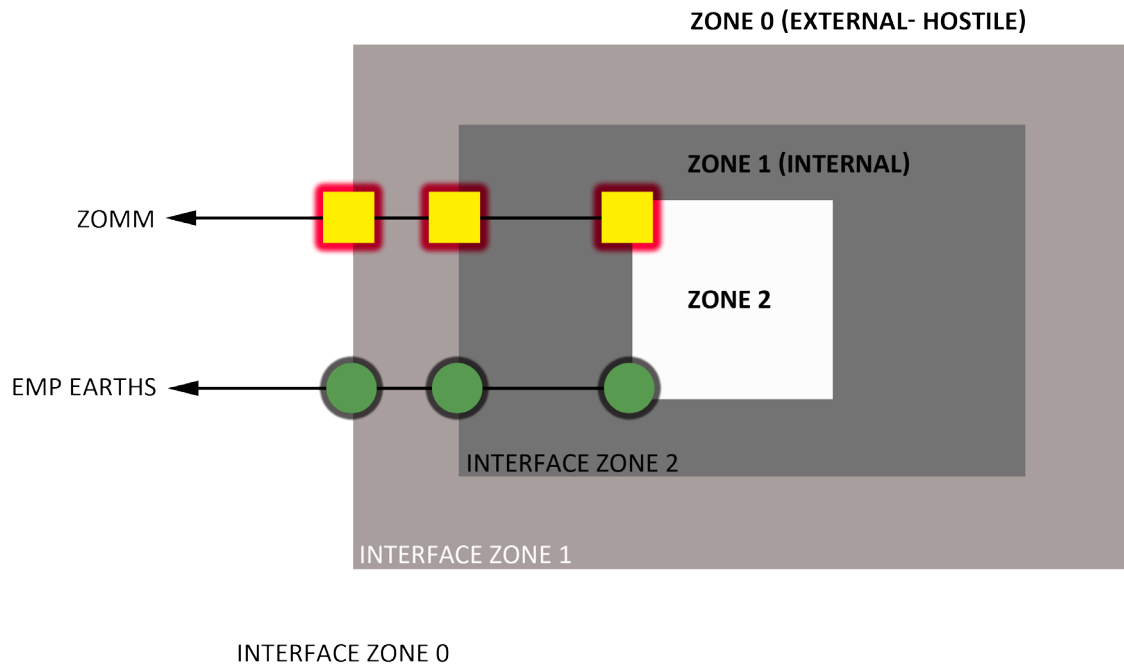
### ZOMM 135/ (XXX) /2/4



ZOMM 135/(XXX)/2/4 Diagram in mm



This ZOMM Application is recommended for Zone 0,1 & 2



Revision: vPD2, 21/05/18  
Information subject to change without notice.

All of the above information, including drawings, illustrations and graphic designs, reflects our present understanding and is to the best of our knowledge and belief correct and reliable. Users, however, should independently evaluate the suitability of each product for the desired application.

