

## ZOMM SERIES

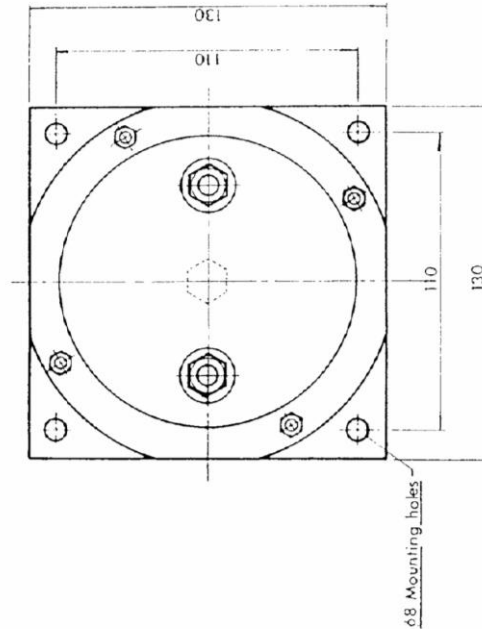
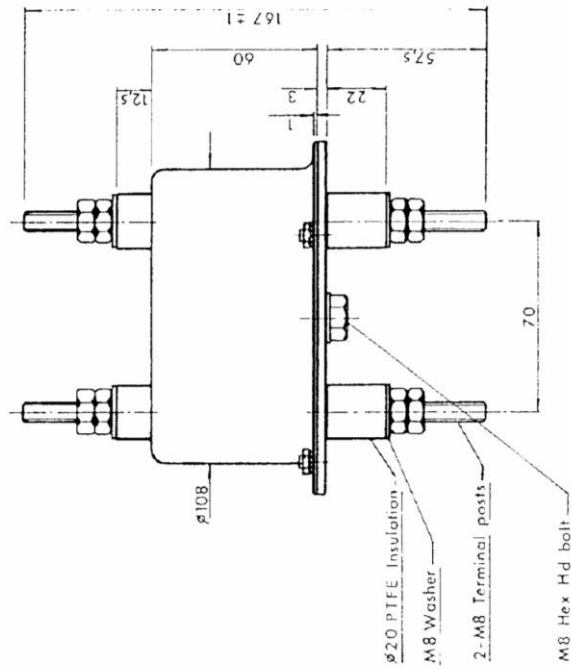
### ZOMM 133 / (XXX) / 2 / 2

(XXX)	09	1	2	3	4	5	6	7	8	9	10	11
<b>Continuous Operating Voltage : a.c. (rms)</b>	110	120	135	150	180	220	250	280	320	380	415	440
<b>Energy per channel (Joules) (10/1000µs)</b>	140	160	200	225	250	300	350	400	450	500	560	630
<b>Max. Peak Clamping Volts at 100A (8/20µs)</b>	290	330	370	410	500	620	680	790	870	1050	1140	1200

#### Characteristics:

<b>No. of channels</b>	2
<b>50 Shot (4/20µs) Repetitive Duty</b>	2500A
<b>Response Time</b>	<10ns
<b>Continuous Current per Channel</b>	60A (Can be supplied as a special with 100A Copper conductors add Cu to part No.)
<b>Max. (8/20µs) Current per Channel</b>	15000A
<b>Leakage Current per Channel at Rated Voltage, d.c.</b>	<250µA
<b>Through Inductance</b>	<10µH
<b>Volts Drop</b>	Negligible
<b>Terminations</b>	8mm Brass
<b>Bushes</b>	PTFE
<b>Earth Connection</b>	To Base Plate
<b>Recommended Torque per M8 Terminal</b>	6.0Nm Brass, 5.6Nm Copper conductors (Ensure terminal does not rotate)

# ZOMM 133 / (XXX) / 2 / 2



## Contacts

**PD Devices Ltd**

**Telephone : +44 01364 649248**

*enquiries@pddevices.co.uk*

*www.pddevices.co.uk*

**+44 (0)1364 649248**

**Old Station Yard,  
South Brent,  
Devon,  
TQ10 9AL, UK.**

**Facsimile : +44 01364 649250  
E-mail Enquiries : [enquiries@pddevices.co.uk](mailto:enquiries@pddevices.co.uk)  
Web Site : [www.pddevices.co.uk](http://www.pddevices.co.uk)**

*[enquiries@pddevices.co.uk](mailto:enquiries@pddevices.co.uk)*

*[www.pddevices.co.uk](http://www.pddevices.co.uk)*

*+44 (0)1364 649248*