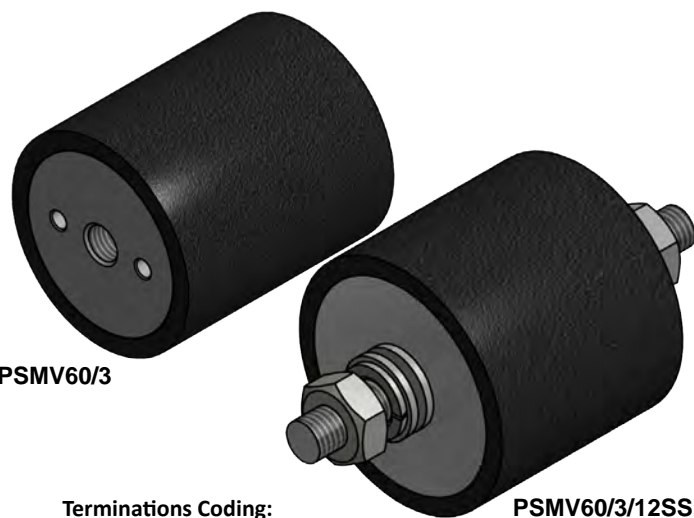


# PSMV60 Series

PD Devices design and manufacture this PSMV60 range of metal oxide varistors (MOV) devices and therefore the ratings can usually be designed to suit any given application.

Specification					
Part Codes:	Rated Voltage (U <sub>r</sub> ) kVrms 2s/50Hz	Continuous Operating Voltage (U <sub>c</sub> ) kVrms	Long Duration Current Impulse 2ms	Overall Height *A (mm)	Overall Height *B (mm)
PSMV60/1.1	1.10	0.9	600A	85mm	N/A
PSMV60/3	3.0	2.4	600A	85mm	N/A
PSMV60/6	6.0	4.8	600A	110mm	N/A
PSMV60/9	9.0	7.2	600A	135mm	N/A
PSMV60/12	12.0	9.6	600A	160mm	N/A
PSMV60/14	14.0	11.0	600A	170mm	N/A
12mm Stud Option					
PSMV60/1.1/12/*	1.10	0.9	600A	85mm	155mm
PSMV60/3/12/*	3.0	2.4	600A	85mm	155mm
PSMV60/6/12/*	6.0	4.8	600A	110mm	180mm
PSMV60/9/12/*	9.0	7.2	600A	135mm	205mm
PSMV60/12/12/*	12.0	9.6	600A	160mm	230mm
PSMV60/14/12/*	14.0	11.0	600A	170mm <td 240mm	



**Terminations Coding:**

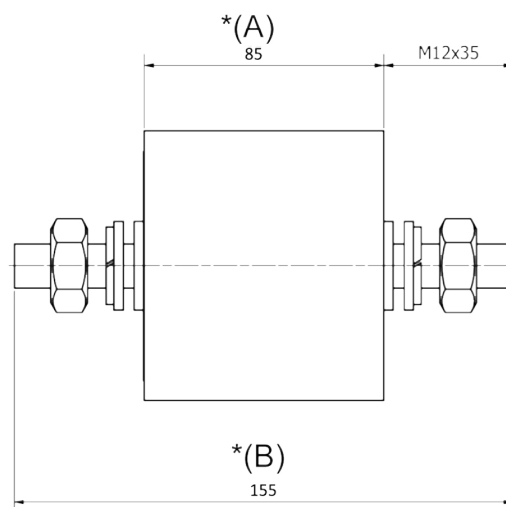
SS = Stainless Steel

A = Aluminium

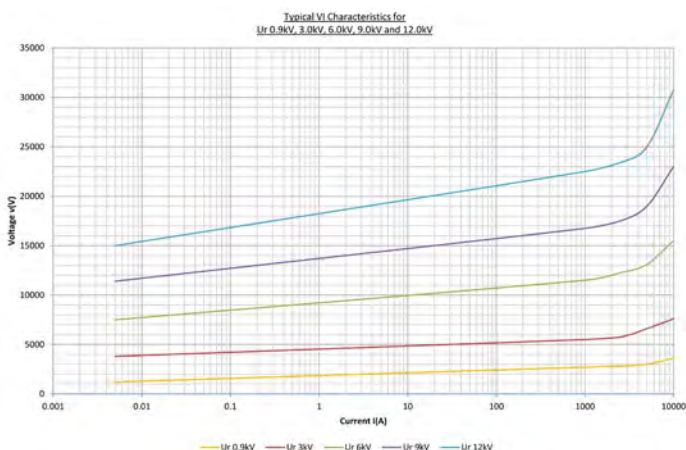
B = Brass

**Diagram of PSMV60/3/12SS**

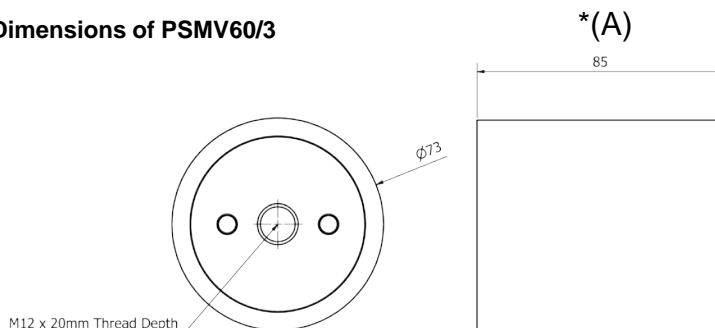
12mm Stainless Steel Stud Option



If you require 12mm terminal studs please replace the \* with the required type coding.



**Dimensions of PSMV60/3**



This data sheet may only contain some of the series. For any specific design requirement or query regarding this product series please contact our Customer Service Department on **+44 (0)1364 649248** to discuss further.

Revision: **vPD1, 04/11/19**

Information subject to change without notice.

All of the above information, including drawings, illustrations and graphic designs, reflects our present understanding and is to the best of our knowledge and belief correct and reliable. Users, however, should independently evaluate the suitability of each product for the desired application.

**Other Available Options:**  
Inclusion within a linkbox

