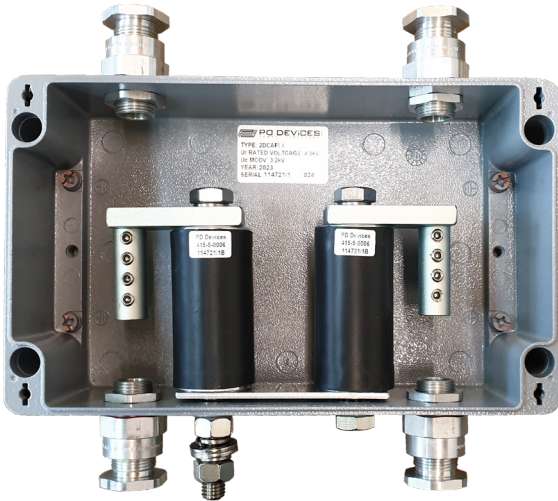


2DCAFL4

Lightning protection for airfield lighting circuits



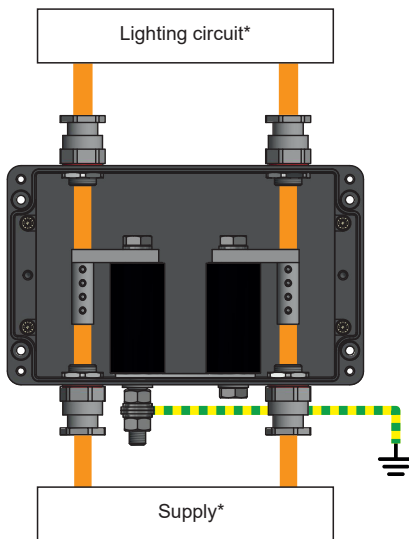
The 2DCAFL4 is designed to protect constant current circuits that supply power to airfield lighting systems from both direct and indirect lightning strikes. Its terminal design allows it to be easily retrofitted into existing circuits. The device consists of two metal oxide surge arresters that are connected in parallel with supply cables to be protected. The terminals are designed so that existing cables can be cut in a convenient location and connected to the device, without having to use a spur or splice. The 2DCAFL4 should be installed close to the control equipment, in a location where a good earth connection is available.



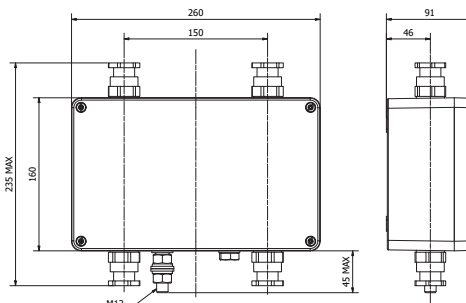
Arrester Characteristics to BS EN 60099-4		
Rated voltage, A.C.	U_f	4.4kV~
Nominal operating voltage, A.C.	U_n	4.0kV~
Maximum operating voltage, D.C.	U_c	5.2kV
Nominal discharge current (8/20 μ s)	I_n	5kA
High current duty (4/10 μ s)		65kA
Long duration withstand (2000 μ s rectangular wave)		250A

Physical/Environmental Characteristics		
Operating temperature		-40 to +40°C
Cable diameter accepted by glands		11.0 to 13.5mm
Conductor diameter accepted by terminals		5.5mm Max.
Ingress Protection	IP	65
Earth stud size		M12

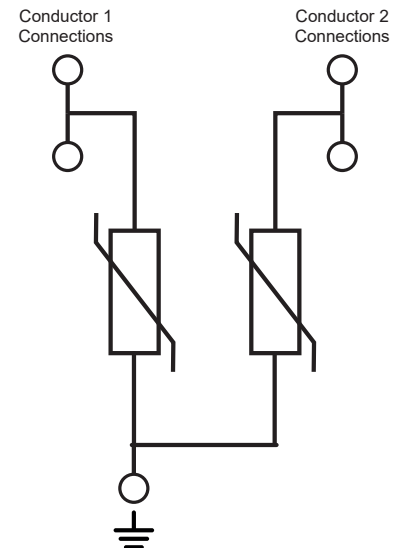
Wiring Diagram



Dimensions (mm)



Internal Configuration



*N.B. Device is not polar - Input and output connections can be reversed